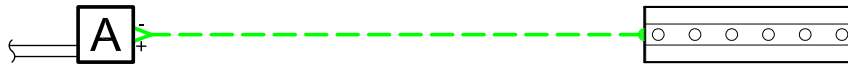


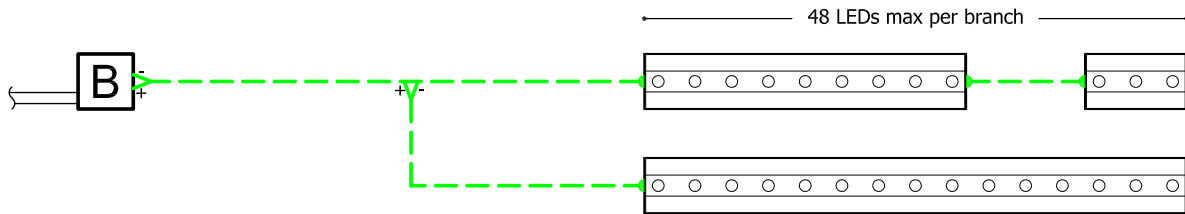
CIRCUIT DIAGRAM

VIMA-5

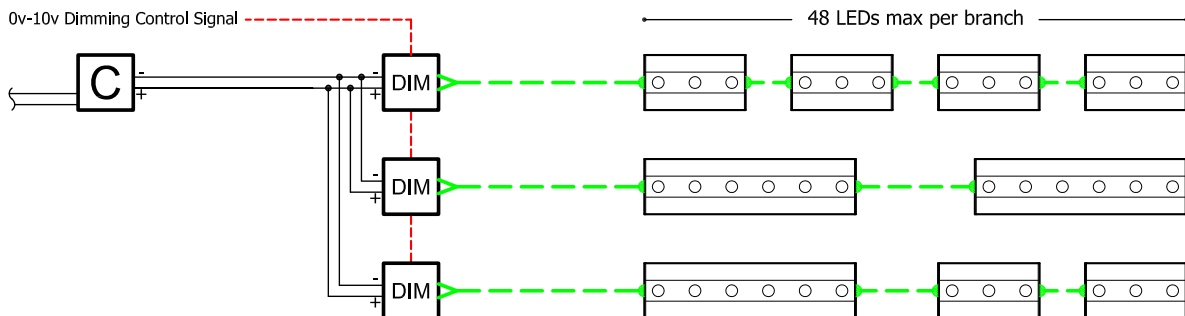
NON-DIM (SHOWN IN SINGLE BRANCH CONFIGURATION)



NON-DIM (SHOWN IN MULTIPLE BRANCH CONFIGURATION)



DIMMABLE (SHOWN IN MULTIPLE BRANCH CONFIGURATION)



DRIVER SIZE	# of LEDs
10w	8
25w	20
60w	48
100w	60

SYMBOLS

- A** 10w 24v Driver
95-265v 50/60 Hz
- B** 60w 24v Driver
100-277v 50/60 Hz
- C** 100w 24v Driver
100-277v 50/60 Hz
- DIM** Dimming Interface Module
AC-PWR-DIM
- Vima-5 Fixture with 1.2w LEDs

* NOTE: 25w Driver also available.

WIRING

- Line Voltage Input
- 24V - (2) 18AWG - 66' max total length
- 0v-10v - (2) 18AWG - 66' max total length
- Feed Wire w/ one bare end, one connector end
36" or 96" length
- Interconnect Wire w/ connectors at both ends
6", 12", 24", 36", 48", 60" or 120" length