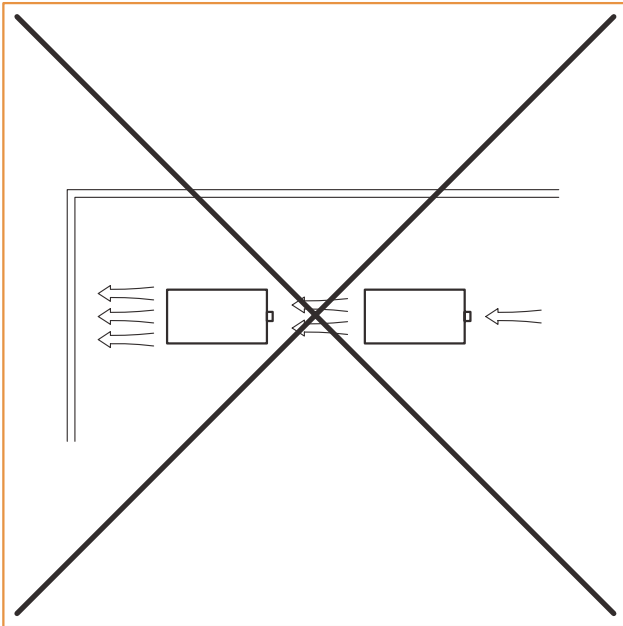
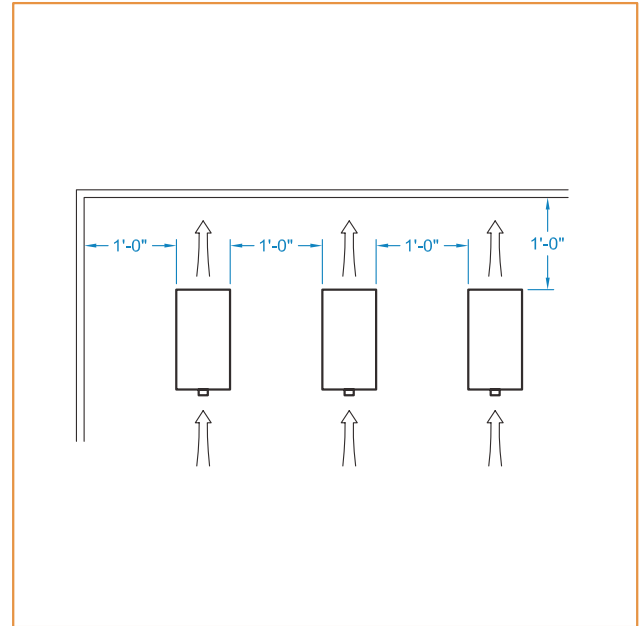


mounting & ventilation

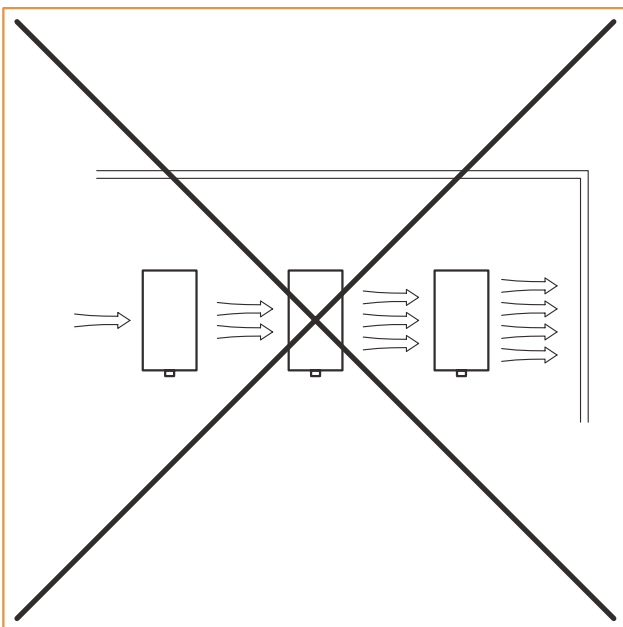
Cut Sheet #2273



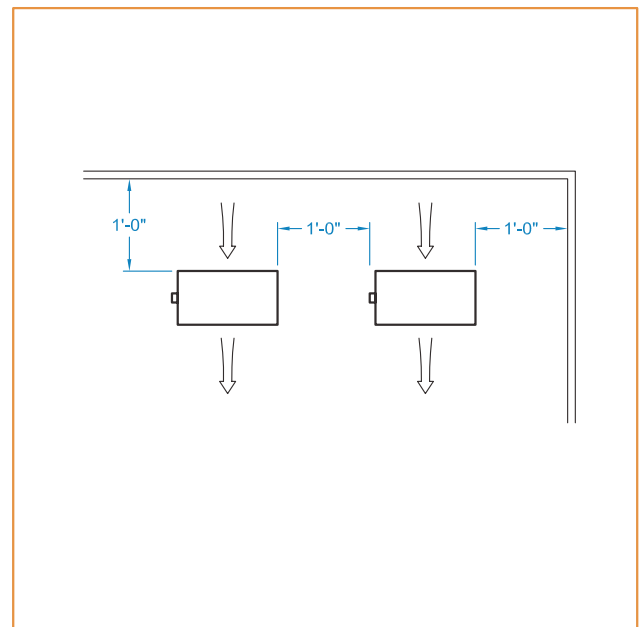
FRONT-TO-BACK VENTING ILLUMINATORS
exhaust Must Not enter intake of other illuminators



FRONT-TO-BACK VENTING ILLUMINATORS
minimum spacing and mounting orientation



SIDE-TO-SIDE VENTING ILLUMINATORS
exhaust Must Not enter intake of other illuminators

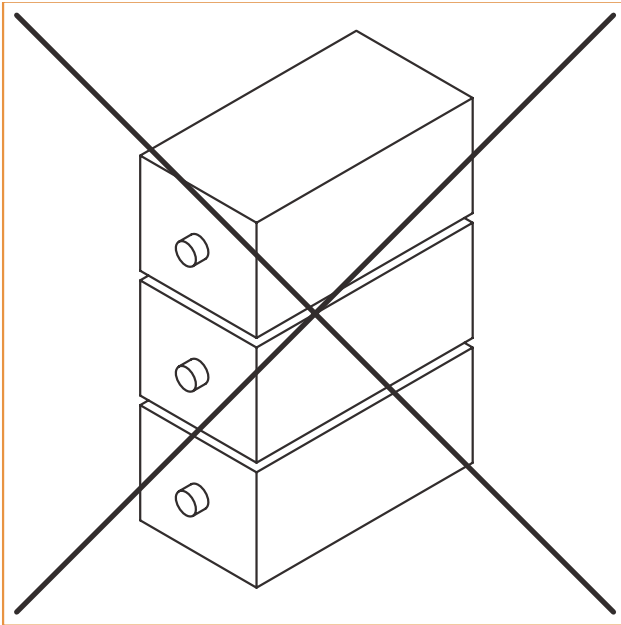


SIDE-TO-SIDE VENTING ILLUMINATORS
minimum spacing and mounting orientation

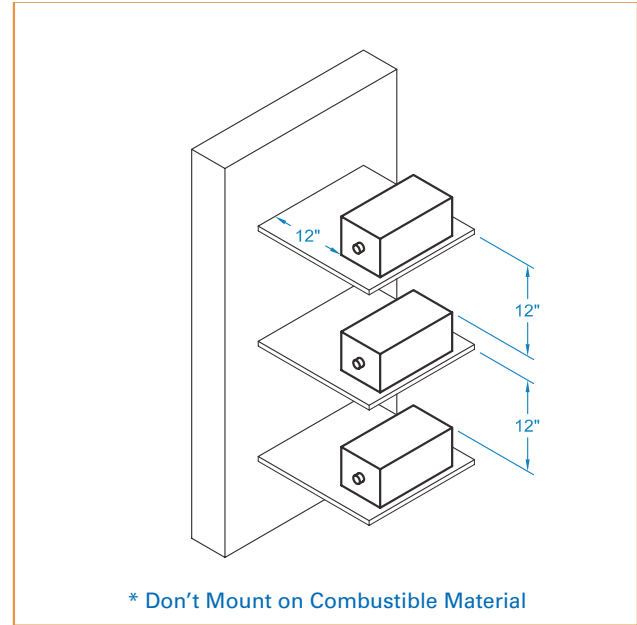


Cut Sheet #2273

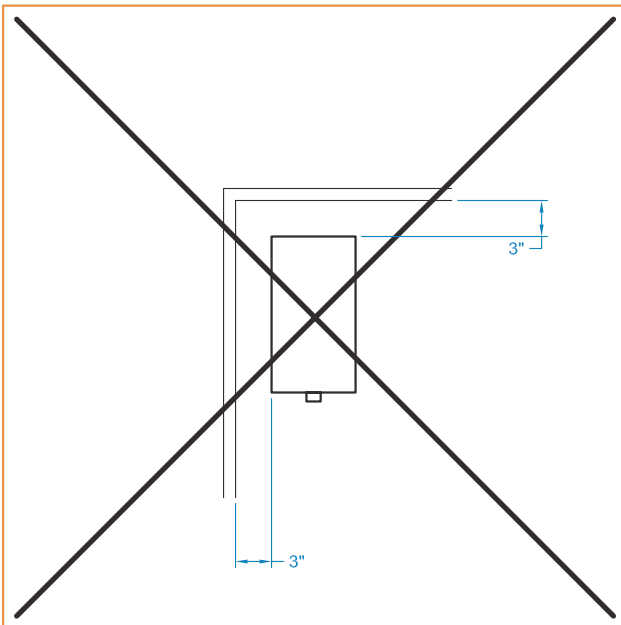
mounting & ventilation



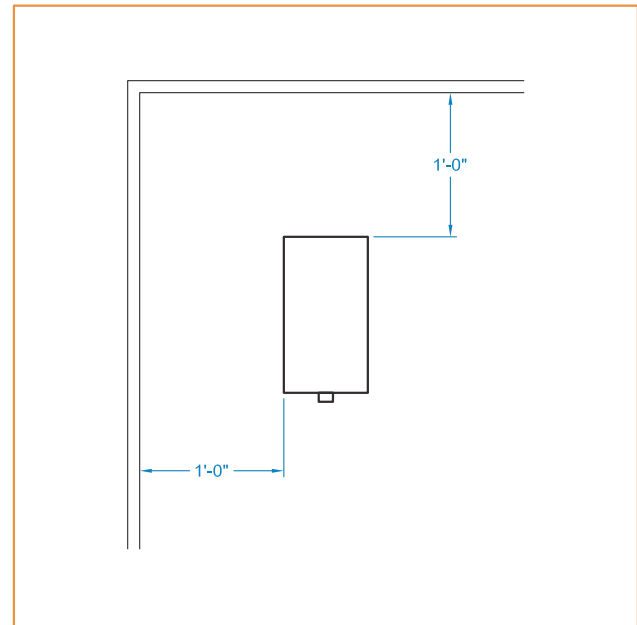
DO NOT STACK ILLUMINATORS



PLACE ILLUMINATORS ON SHELVES



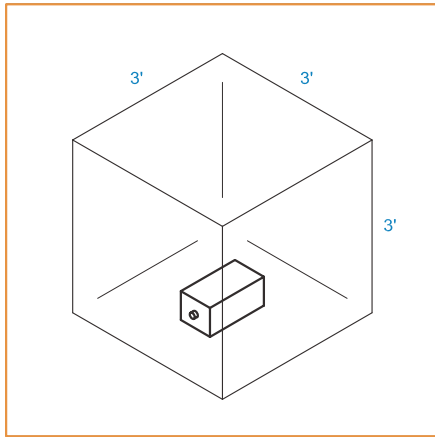
DO NOT MOUNT TOO CLOSE TO WALLS



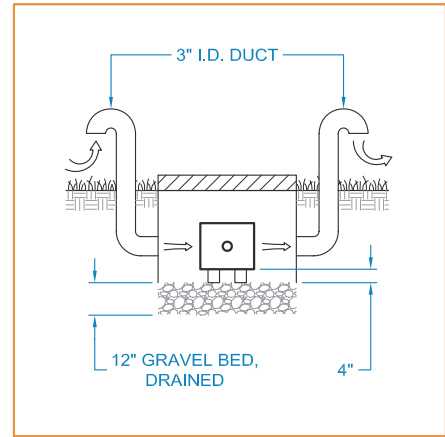
MINIMUM DISTANCE FROM WALLS
smaller illuminators may require less distance

mounting & ventilation

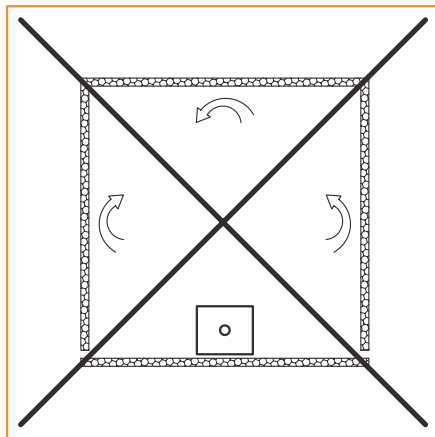
Cut Sheet #2273



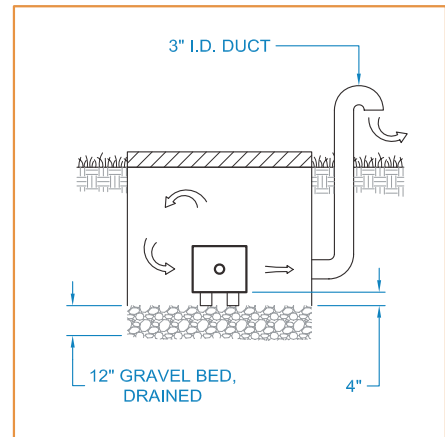
NON-VENTED MINIMUM REQUIRED AIR VOLUME
smaller illuminators may require less air volume



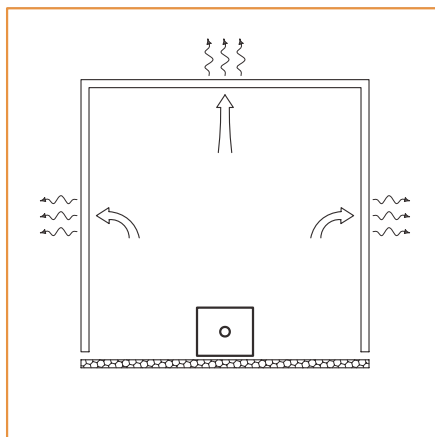
FULLY VENTED BURIAL VAULT
30" x 18" x 12" (3.75 sq. ft. minimum)



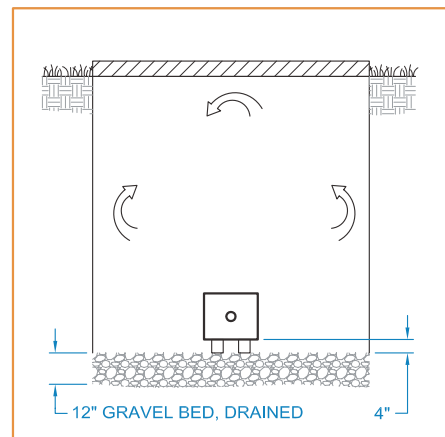
DO NOT MOUNT IN AN INSULATED SPACE



EXHAUST VENTED BURIAL VAULT
30" x 24" x 18" (7.5 sq. ft. minimum)



MOUNT IN AN UNINSULATED SPACE
heat must transmit through the walls



NON-VENTED BURIAL VAULT
36" x 36" x 36" (27 sq. ft. minimum)